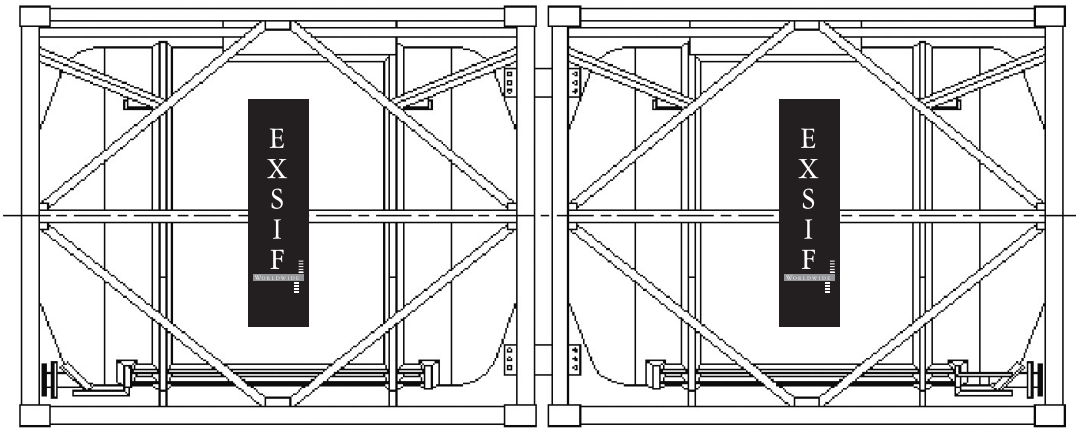


T11 7,500 LITER

Mini Tank



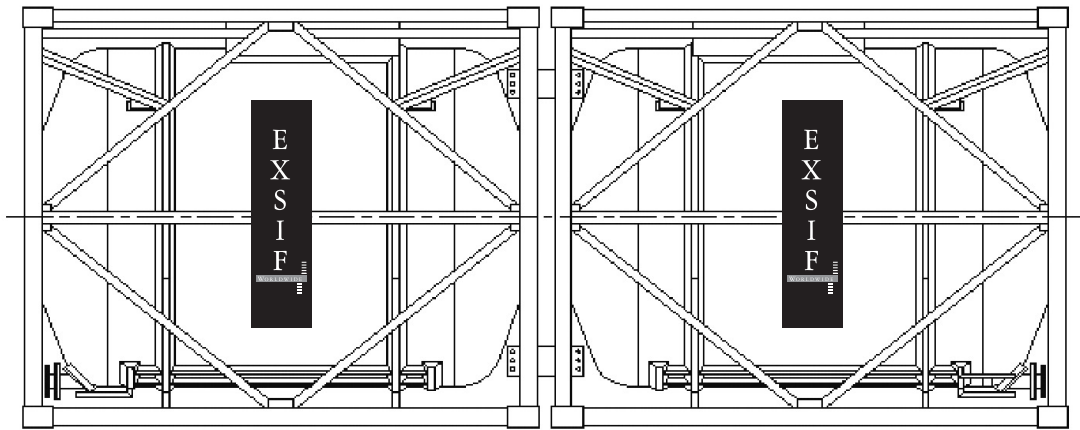
7,500 LITER

EXSIF

WORLDWIDE



A member of The Marmon Group of companies



T11 7,500 LITER

Mini Tank General Specifications

Dimensions	mm	ft-in	Internal Finish	Cold rolled ASTM 2B, interior acid cleaned and certified for the carriage of foodstuff.	Steam Heating System	4 off 4" vee sections 4 Bar (58psi) working pressure with 1" BSP inlet/outlet connections.		
Length	2991	9' 10"						
Width	2438	8' 0"						
Height	2438	8' 0"						
Capacity	Liters	Gallons	US Gallons	Weights	kgs	lbs	Options	Insulation. Electrical heating. Adaptor frames are available to allow the tanks to be carried on tank chassis allowing ease of loading and off loading one tank at a time.
	7,567	1,665	2,000	Tare	2,175	4,793		
				Max Payload	13,825	30,479		Two units can be bolted together and transported empty as a 20' 0" unit.
Shell Material	316 Stainless Steel			Fittings	Fort Vale 500 mm, fully hinged with 6 fixings. 2" Fort Vale stainless steel butterfly valve with a 1" BSP termination. 3" 45° stainless steel foot valve, butterfly valve with a 3" BSP termination. Remote closure system fitted. Optional 1-2 1/2" BSP high flow pressure/vacuum valve set at 4.4 Bar/.21 Bar (63.8 psi/3 psi). Flame trap fitted.		Approvals	CSC, RID/ADR, IMDG-IMO, (US) DOT, TIR, UIC, (UK) DETR, DNV (Optional).
Barrel/Head Thickness	4.47/5.35 mm (.175/.210")			Manlid				
Pressures	Working = 4 Bar (58.0 psi) Test = 6 Bar (87.0 psi) Vacuum = 0.4 Bar (5.9 psi)			Air Line				
Design Temp	110 °C (227 °F)			Bottom Outlet				
Design Code	ASME VIII Division 1			Top Outlet				
External Finish	Zinc rich primer & acrylic top coat.			Safety Relief Valve				

Note: The above information is an average representation of technical data. Please consult your EXSIF Worldwide representative for more specific data.

1225 North Loop West
Suite 300, Houston
TX 77008, USA
tel: 1-713-869-9922
fax: 1-713-869-6526
email: sales.americas@EXSIFWW.COM

16 Raffles Quay
#42-01A Hong Leong Building
Singapore 048581
tel: 65-6224-2633
fax: 65-6224-2634
email: sales.asia@EXSIFWW.COM

9, Place Hoche - F - 78000
Versailles,
France.
tel: 33-1-39 51 16 12
fax: 33-1-30 21 91 96
email: sales.europe@EXSIFWW.COM



Visit our web site www.EXSIFWW.COM

Offices and Agents Worldwide: Australia, Brazil, China, France, Germany, Indonesia, Israel, Italy, Japan, Korea, Netherlands, Malaysia, Philippines, Poland, Russia, Saudi Arabia, Singapore, South Africa, Taiwan, United Arab Emirates, UK, USA
Headquarters: 100 Manhattanville Rd, Purchase, NY 10577, USA tel: 1-914-697-2600, fax: 1-914-697-2697, e-mail EXSIF.CO@EXSIFWW.COM