

# T11 9,000 LITRE

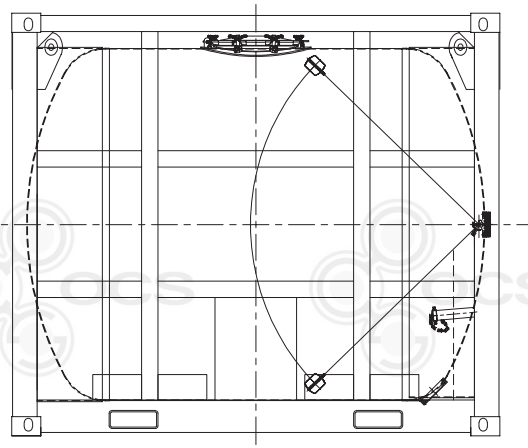
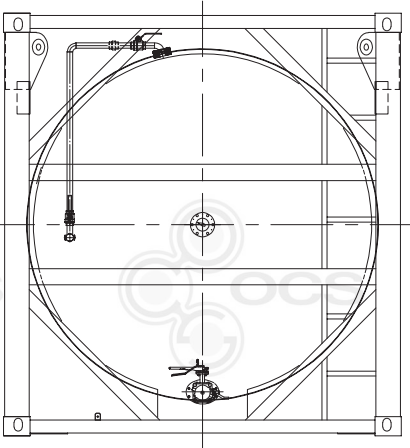
## Offshore Portable Tank



# 9,000 LITRE



A Marmon/Berkshire Hathaway Company



# T11 9,000 LITRE

## Offshore Portable Tank ( -40 °C)

### General Specification

Dimensions	mm	ft-in	Frame	Classification	BV
Length	2,991	9' 10"	Forklift Pockets	Society	
Width	2,438	8' 0"	Lifting Lugs	Design Code	Vessel Design Code: ASME VIII Div 1
Height	2,591	8' 6"	Walkway	Approvals	UN Portable tank (T11) IMDG (T11), ADR/RID, CSC, USDOT, EN12079, DNVGL E2.7-1
<b>Capacity (actual)</b>	<b>Litres</b>	<b>Gallons</b>	<b>US Gallons</b>		
	9,000	1,979	2,377		
<b>Shell Material</b>	SANS 50028-7: 1.4402 Equivalent to 316L Stainless Steel				
<b>Pressures</b>	Working = 4.0 Bar (58.0 psi) Test = 6.0 Bar (87.0 psi) Vacuum = 0.4 Bar (5.8 psi)				
<b>Design Temp</b>	Vessel -40°C to +130°C Frame -40°C to +70°C				
<b>Design Code</b>	ASME VIII Division 1 where applicable				
<b>Weights</b>	<b>kgs</b>				
Tare	3,170	nominal			
Max. Payload	13,830	nominal			
Max. Gross	17,000				
			<b>Fittings</b>		
			Manlid	Fort Vale 500mm, hinged with 8 point fastenings.	
			Airlines	1" BSP top mounted ball valve leading to secondary ball valve operable from ground level and c/w 1" BSP with Camlock c/w retained Camlock dustcap.	
			Vent	Top positioned 1 1/2" BSP Fort Vale ball valve c/w provision for pressure gauge, with retained dust cap.	
			Bottom Outlet	Fort Vale 3" NB Fort Vale 45 degrees footvalve, 3" butterfly valve, 3" BSP connection and retained dustcap. Remote closure system fitted.	
			Safety Relief Valve	2 1/2" BSP Super Maxi pressure / vacuum valve set at 4.4 bar/ 0.21 bar (63.8 /3 psi) with flame gauze fitted.	
			Level Gauge	Bayham level gauge fitted to tank body in line with bottom outlet.	

Note: The above information is an average representation of technical data. Please consult your OCS representative for more specific data.



Visit our website [www.exsif-ocs.com](http://www.exsif-ocs.com)

EXSIF OCS Limited, Aberdeen / Gt. Yarmouth: + 44 (0) 1224 976000 Contact: [info@exsif-ocs.com](mailto:info@exsif-ocs.com)